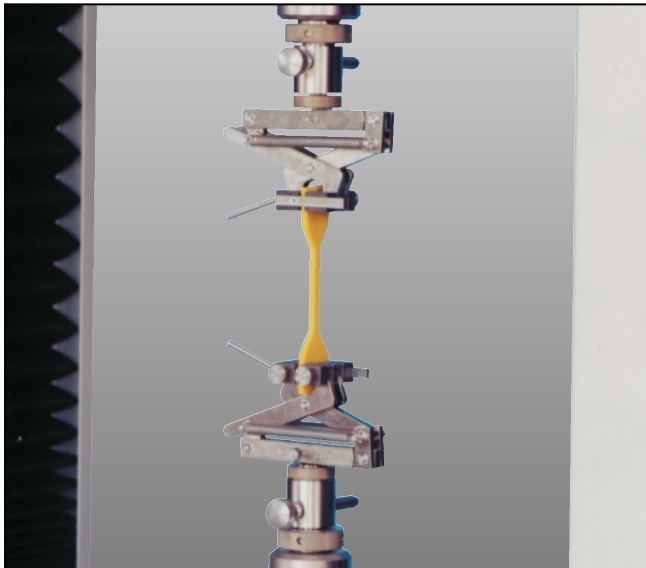


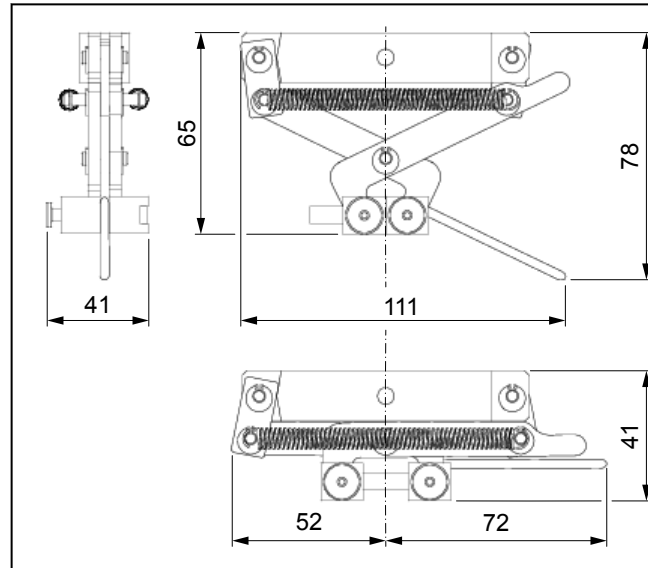
Product Information

Pincer grips, Type 8122, Fmax 500 N

CTA: 43519 32554



Pincer Grips, Type 8122, Fmax 500 N



Type 8122 pincer grips, Fmax 500 N: general view

Applications

- Specimen material: elastomers, soft plastics
- Specimen shape: flat specimens
- Type of loading: tensile

Function description

The pincer grip is a double actuator grip. The pincer grip is opened and closed via a clamping lever.

The prestressed spring holds the specimen grip open for specimen insertion. If the specimen grip is closed, the prestressed spring generates the required gripping force.

The gripping force is increased proportionally by the pincer principle as the tensile force increases. This

ensures automatic retightening for specimens prone to shrinkage.

The jaws are retained by a locking pin and are easy to change.

Advantages and features

- Secure specimen gripping through gripping force increasing proportionally to tensile force
- The lateral mobility of the pincer grips allows specimens always to be loaded centrally to the test axis.
- Ergonomic, open design for fast, easy specimen insertion and clamping
- The grips are easy to operate in a temperature chamber and reach the test temperature quickly thanks to their very low mass.

Product Information

Pincer grips, Type 8122, Fmax 500 N

Technical data

Item No.	316268	316294	
Type	8122	8122	
Test load F _{max}	0.5	0.5	kN
Dimensions			
Height	65	65	mm
Height (open)	41	41	mm
Width	111	111	mm
Width (open)	124	124	mm
Depth	41	41	mm
Opening width, max.	15	15	mm
Specimen thickness, max.	15	15	mm
Specimen gripping	The specimen must be gripped over at least 3/4 of the jaw height.		
Gripping area (H x W)	12 x 30	12 x 30	mm
Weight per grip unit, approx.	0.35	0.35	kg
Connection, mounting stud	Ø 8	Ø 8	mm
Ambient temperature	-40 to +250	-40 to +250	°C
Scope of delivery	2	1	pieces

Accessories required

Jaws for Type 8122 (2x/1x required)

Scope of delivery. 2 pieces

Range of application	Version	Gripping area (H x W) [mm]	Ambient temperature [°C]	Hardness	Item No.
		12 x 30	-40 to +250	700 HV	316272
Soft plastic film	Aluminum oxide, 60 coarse	12 x 30	-40 to +80	-	316276
Solid elastomers with surfaces prone to slippage, soft plastics, specimen shape S3A	Steel, st, relief ground ¹⁾ 1.5 mm	7.5 x 30	-40 to +250	700 HV	316278

1) St= sawtooth