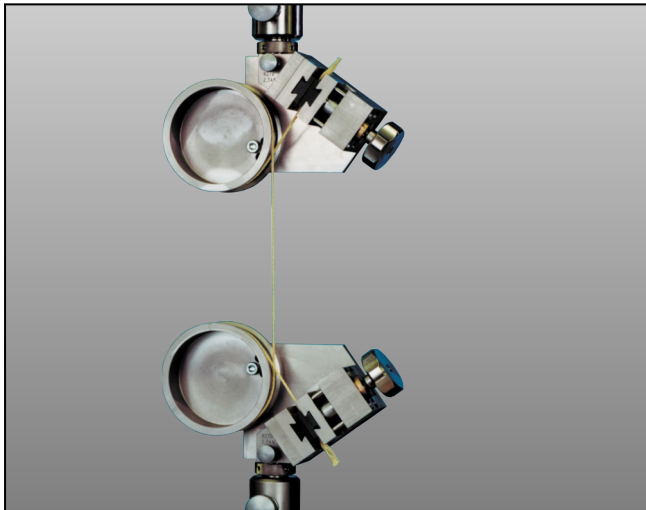


Product Information

Grips for ropes Type 8270, Fmax 2.5 kN

CTA: 40601 40602



Type 8270 grips for ropes, Fmax 2.5 kN

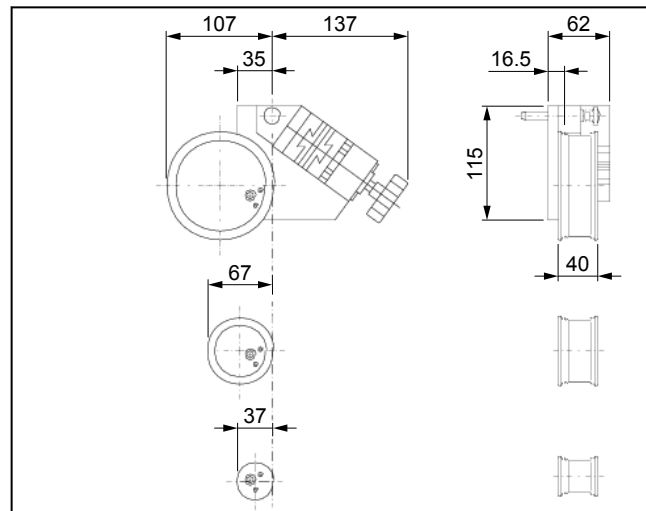
Applications

- Specimen material:
plastics, textiles, metals
- Specimen shape:
rope, narrow tape
- Type of loading:
tensile

Function description

The rope grips can be used for testing dimensionally unstable tensile specimens.

The specimen is passed around the load reduction roller one or more times. The resulting frictional force reduces the tensile stress before the screw clamp at the end of the specimen to the extent that jaw breaks are avoided.



Type 8270 grips for ropes, Fmax 2.5 kN, general view

The specimen is automatically centered on insertion by the predetermined groove in the load reduction roller.

Advantages and features

- Looping the specimen around the load reduction roller ensures gentle clamping without jaw breaks.
- Fast, easy insertion and centering of the specimen is made possible by a guide groove in the load reduction roller.
- Interchangeable load reduction rollers enable optimum adaptation of the specimen grips to accommodate different specimen materials.
- If the application changes the jaws can be changed over quickly and easily - no tools required. The jaws are centered automatically.

Product Information

Grips for ropes Type 8270, F_{max} 2.5 kN

Technical data

Item No.	318688	
Type	8270	
Operating principle/feature	looping and additional screw end clamping	
Test load F _{max}	2.5	kN
Dimensions		
Height	51	mm
with optional load reduction roller, Ø30 mm	118	mm
with optional load reduction roller, Ø60 mm	122	mm
with optional load reduction roller, Ø100 mm	136	mm
Width	32	mm
with optional load reduction roller, Ø30	174	mm
with optional load reduction roller, Ø60	204	mm
with optional load reduction roller, Ø100	244	mm
Depth	78	mm
Specimen diameter, max.	8	mm
Opening width, max.	13	mm
Connection, pin	Ø 20	mm
Weight per grip unit, approx.	1.5	kg
Ambient temperature	-70 to +250 ¹⁾	°C
Scope of delivery	2	pieces

1) The temperature range may be limited by a smaller jaw temperature range.

Accessories required

Jaws, Type 8287 (1x required)

Scope of delivery: 1 set (= 4 pieces)

Range of application	Version	Gripping area (H x W) [mm]	Ambient temperature [°C]	Hardness	Item No.
Plastic yarns, high-strength yarns	Steel, smooth	50 x 32	-70 to +250	61 HRC	318696
		50 x 32	-70 to +250	61 HRC	318698
Yarns	Vulkollan, smooth	50 x 32	-15 to +80	95 Shore A	318700

Product Information

Grips for ropes Type 8270, Fmax 2.5 kN

Load-reduction rollers (1 x required)

Scope of delivery: 2 pieces

Range of application	Loop diameter [mm]	Outside diameter [mm]	Weight, approx. [g]	Item No.
Flexible man-made and natural-fiber ropes	30	40	230	318690
Rigid man-made and natural-fiber ropes, flexible wire-ropes	60	70	650	318692
Rigid wire ropes	100	110	1000	318694